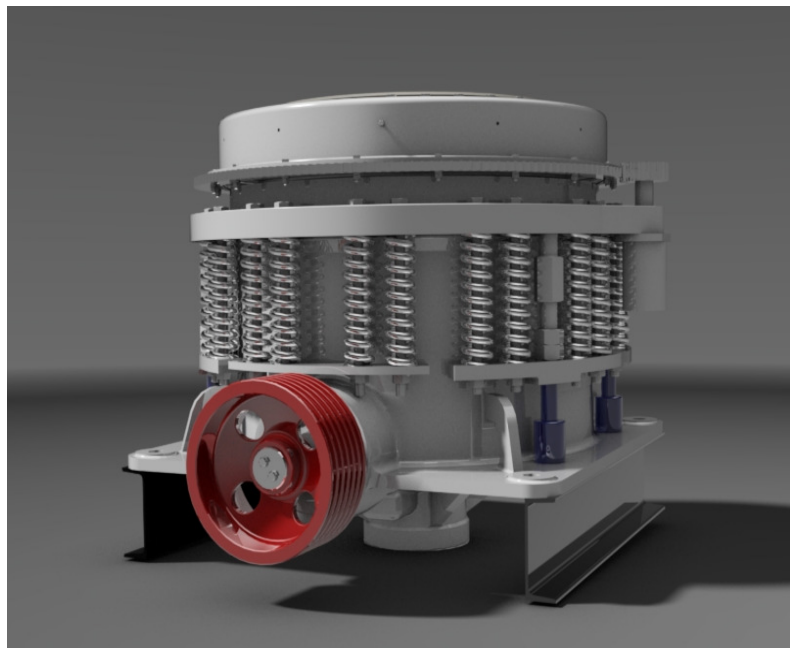
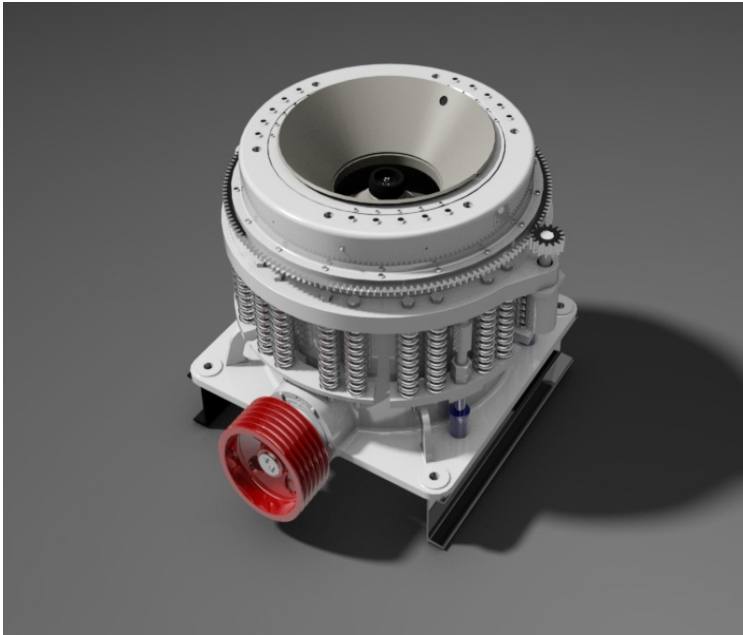


CONE CRUSHERS SERIES GC



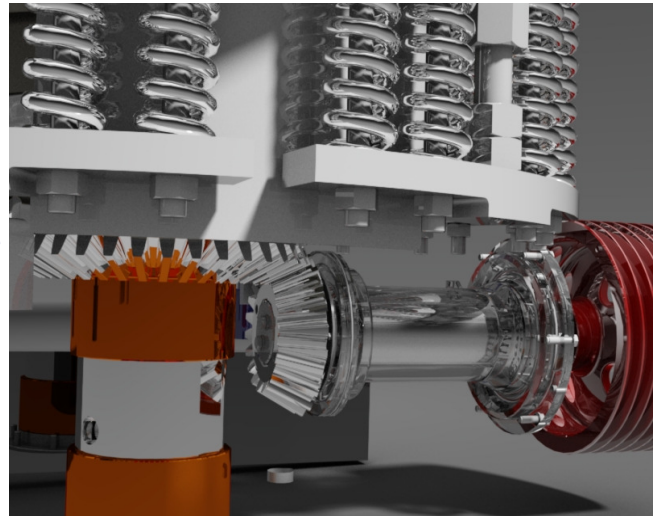
www.dpgoster.pl

GC series Cone Crushers are designed for crushing of hard and medium hard, such as granite, metal ores, quartz, limestone, sandstone, cement clinker, dolomite, limestone, basalt, etc.

ADVANTAGES:

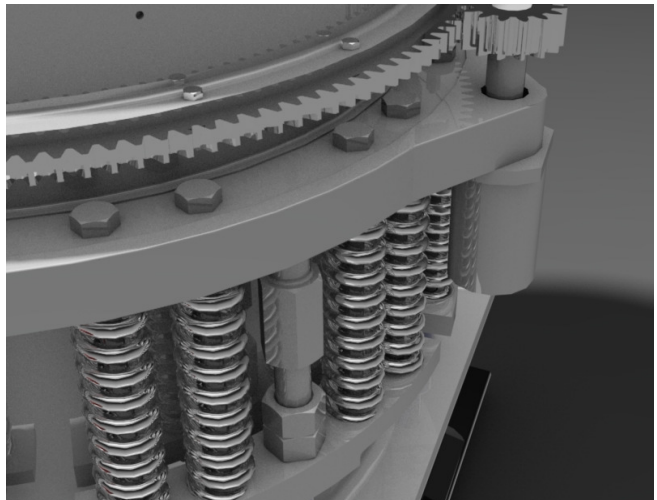
Performance:

Increased the speed of the main bush, changed the shape of cones, increased power, all of these factors contributed significantly to improved productivity and efficiency of the crushers.



Protection for overload and gap adjustment:

By using a system of gears, adjusting the gap is more precise and safer. Triple overload protection systems are used in GC series for materials that can not be crushed: mechanical (springs), hydraulic (actuators) and the electric protection systems.

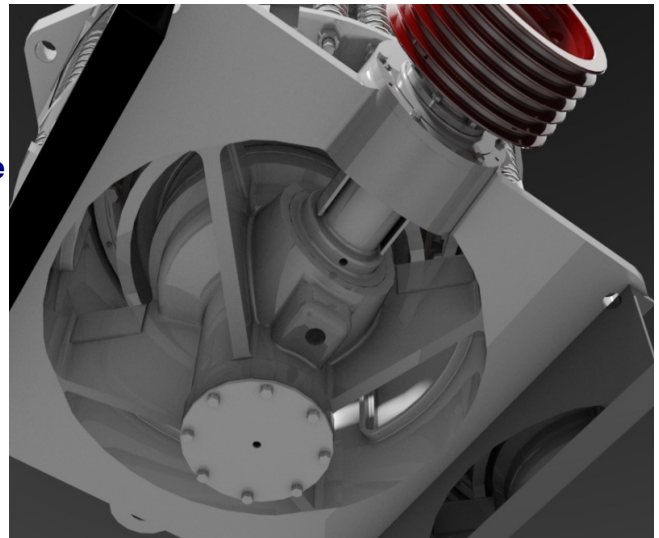


Assembly and disassembly:

Many years of experience in the construction, maintenance and repair of crushers helped to design crushers that are easier to assemble and disassemble than competitors' machines.

Longer time between overhauls:

The GC crushers use dual seal lubrication system. Latest construction materials contribute to increased component life and help reduce weight of crushers. Spare parts for crushers are designed in such a way that they can be replaced with small lifting devices.



TECHNICAL SPECIFICATION :

CONE CRUSHER	Cone Diameter [mm]	Cavity	Max Feed Size [mm]	Discharge Opening [mm]	Capacity [m ³ /h]	Power [kW]	Weight [kg]
GC-600	Ø600	Coarse	110	10-30	up to 30	55-75	5000
		Medium	60	7-25	up to 20		
		Fine	30	3-12	up to 10		
GC-800	Ø800	Coarse	140	15-40	up to 45	75	7800
		Medium	85	15-30	up to 30		
		Fine	50	3-12	up to 15		
GC-1000	Ø1000	Coarse	170	20-60	up to 60	75-90	9500
		Medium	110	10-40	up to 40		
		Fine	70	3-12	up to 20		
GC-1200	Ø1200	Coarse	230	20-60	up to 110	132	17500
		Medium	150	10-40	up to 80		
		Fine	110	3-12	up to 40		