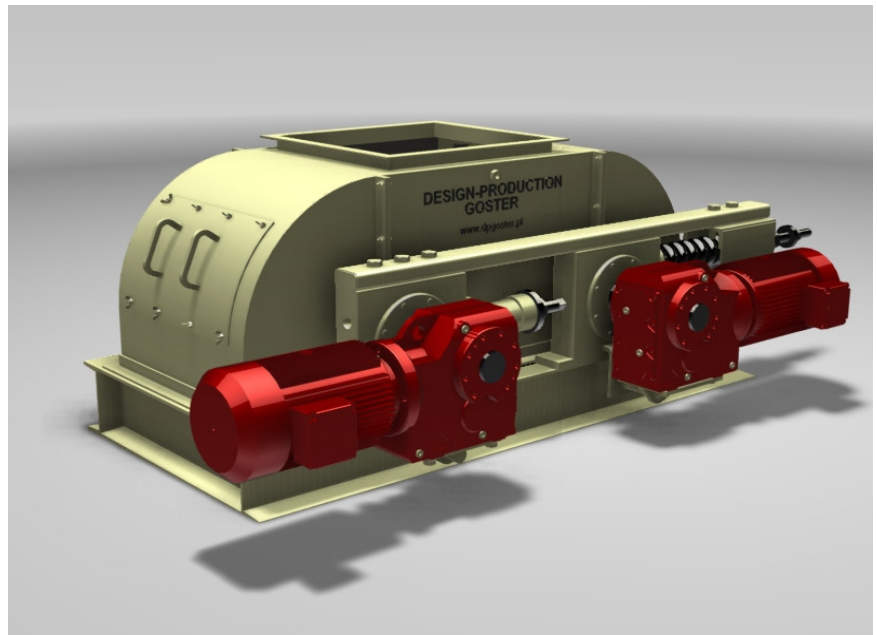
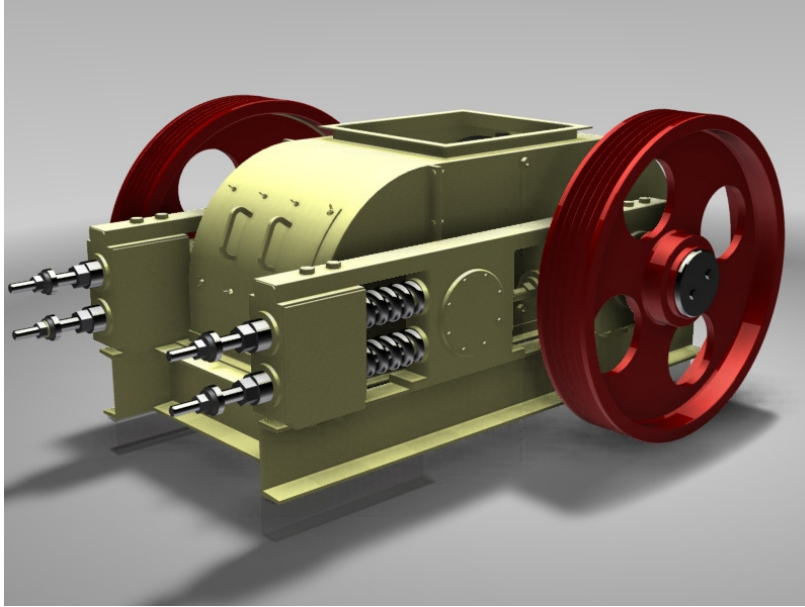


**ROLL CRUSHERS SERIES GR-/GR-.....C**



Crushing GR /GR...C are used for crushing soft to medium hard materials, such as limestone, marl, coal, gypsum, sulfur ore, chalk, salt, fertilizer, glass,etc.

## **ADVANTAGES:**

### **Performance:**

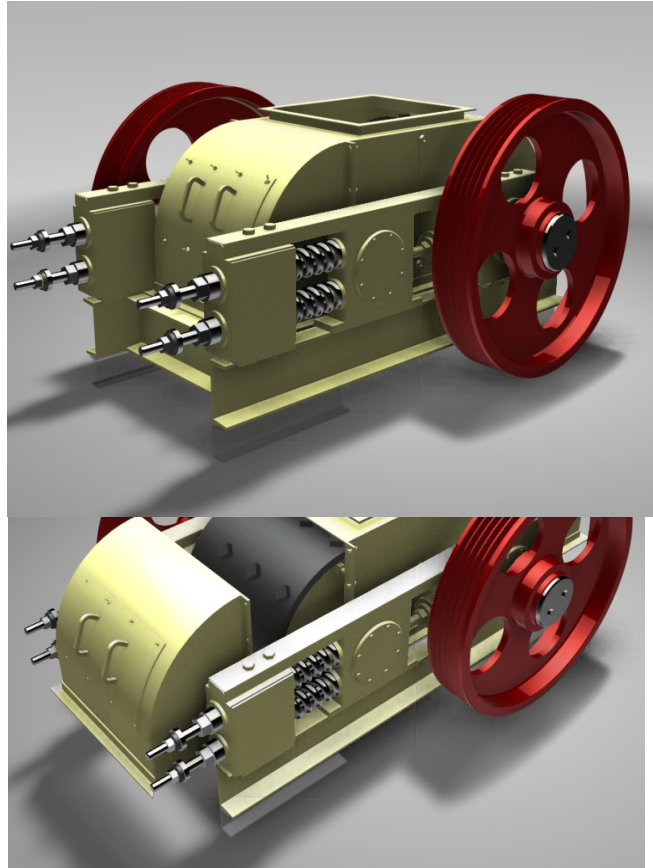
The correct ratio between the diameter of the cylinder to its length properly selected electricmotors, options to use rolls with different shape of the teeth, correct selection of rpm, option of using scrapers to clean the rollers, all have improved efficiency and quality of product GR series machines

### **Modular design**

Modular design allows to install the machine in tight spaces and therefore reducing the costs associated with the transportation and installation of the crusher

### **The overload protection, gap adjustment:**

Thanks to the two security systems, mechanical or hydraulic and electrical - plant is protected against overloads and materials that can not be crushed and tramp metal. There is an option of using two systems interchangeably for gap control;hydraulic - automatically controlled from the control room and manual.



## Assembly and disassembly:

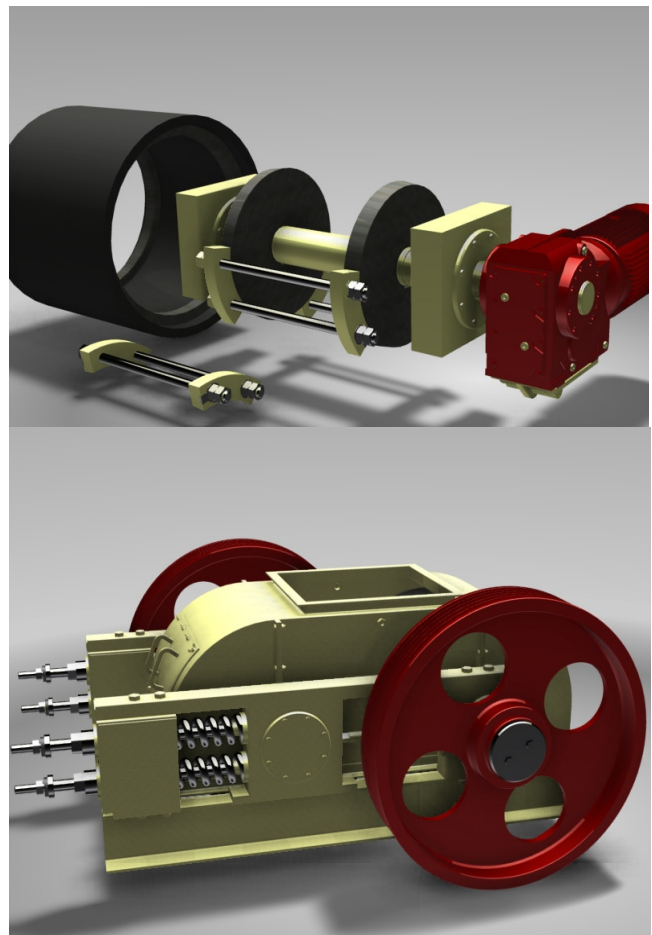
Many years of experience in the construction, maintenance and repair of crushers helped to design crushers that are easier to assemble and disassemble than competitors' machines.

## Longer time between overhauls:

New design solutions and materials used in GJ crushers construction contribute to increased component life and reduced weight of the machine.

Oversized bearings allow for longer trouble-free operation of crushers

Spare parts for crushers are designed in such a way that they can be easily replaced with small lifting devices.



**TECHNICAL SPECIFICATION :****ROLL CRUSHERS - GENERAL PURPOSE**

Crusher	Roll Diameter [mm]	Gap [mm]	Capacity [m <sup>3</sup> /h]	Power [kW]
GR-45	Ø400x500	3-15	do 12	2x5,5
GR-56	Ø600x500	5-40	do 20	2x11
GR-88	Ø800x800	15-80	do 50	2x30
GR-105	Ø1000x500	2-50	do 35	2x22
GR-1010	Ø1000x1000	15-100	do 150	2x37
GR-1212	Ø1200x1200	30-150	do 250	2x45
GR-1515	Ø1500x1500	40-200	do 320	2x60

## CRUSHER FOR COAL, GR-.....C. ..

Roll crushers GR Series .....C are designed for crushing coal. Crushers are characterized by high efficiency, high performance and low operating costs thanks to the selection of rolls: diameters of 800, 1000, 1200 mm. Proper selection of rotational speed of the toothed rolls our crushers the phenomenon of surge crushing coal and pulping the material is minimized. In case of crushers in closed systems there is the possibility of sealing and the use of blowers to prevent possibility of dangerous concentration of dust (possibility of explosion).

Crusher	Roll Diameter [mm]	Gap [mm]	Max Particle Size [mm]	Capacity [t/h]	Power [kW]
GR-80C3	Ø800x300	5-70	100	Up to 25	2x11
GR-80C8	Ø800x800	5-70	140	Up to 70	2x30
GR-100C4	Ø1000x400	10-100	130	Up to 30	2x15
GR-100C10	Ø1000x1000	10-100	200	Up to 150	2x37
GR-120C5	Ø1200x500	15-120	160	Up to 40	2x22
GR-120C12	Ø1200x1200	15-120	260	Up to 200	2x45