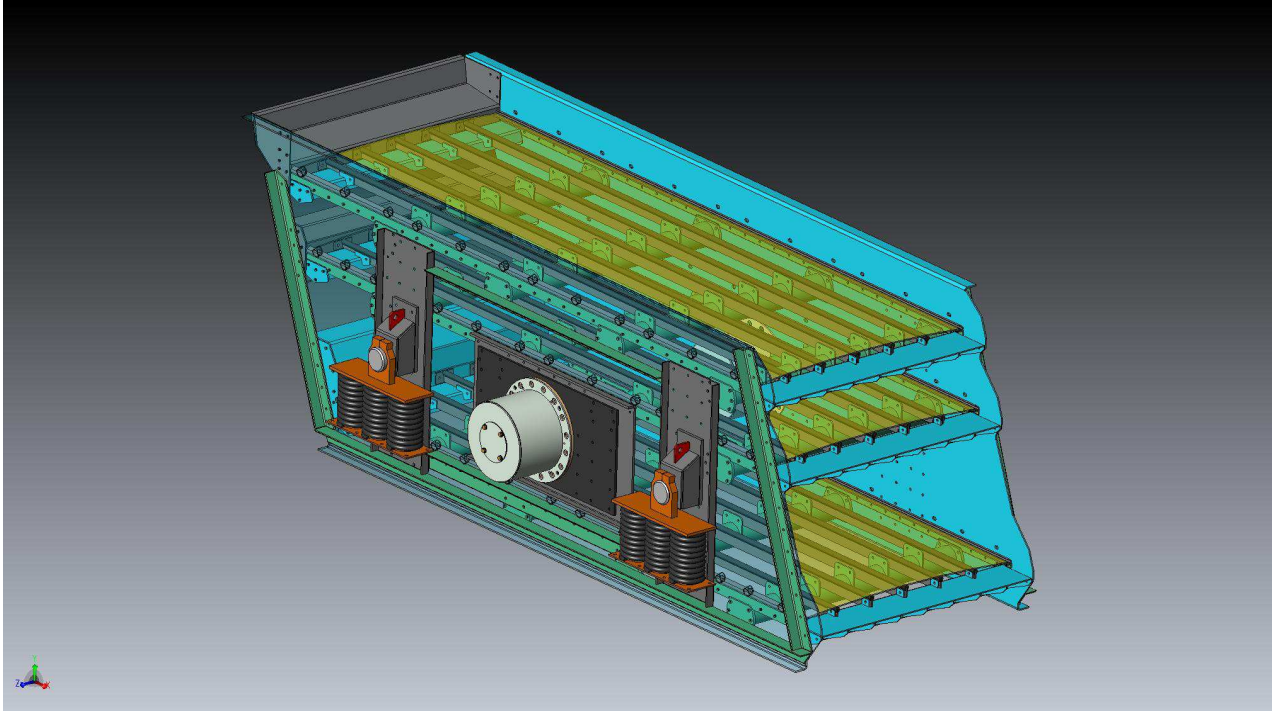


CIRCULAR MOTION VIBRATING SCREENS



Screens can be modified to accommodate customer requirements in respect to specific screening deck installation.

For another screen size or custom made screen please contact VIBFEM Pty Ltd.

TECHNICAL SPECIFICATION:

SCREEN	WxL [m]	DECKS	Capacity [tph]	Power [kW]	Weight [kg]
CM11548	1.5x4.8	1	400	10	4000
CM21548	1.5x4.8	2	400	15	4500
CM31548	1.5x4.8	3	400	22	5000
CM11861	1.8x6.1	1	550	22	5000
CM21861	1.8x6.1	2	550	22	6000
CM31861	1.8x6.1	3	550	22	7500
CM12161	2.1x6.1	1	650	22	7000
CM22161	2.1x6.1	2	650	30	9000
CM32161	2.1x6.1	3	650	30	10500
CM12461	2.4x6.1	1	750	30	9000
CM22461	2.4x6.1	2	750	37	13000
CM32461	2.4x6.1	3	750	37	15000
CM13061	3.0x6.1	1	1000	45	18000
CM23061	3.0x6.1	2	1000	45	19500
CM33061	3.0x6.1	3	1000	45	21000

Capacities are given for material bulk density 1.6t/m³ in dry conditions and are indicative only