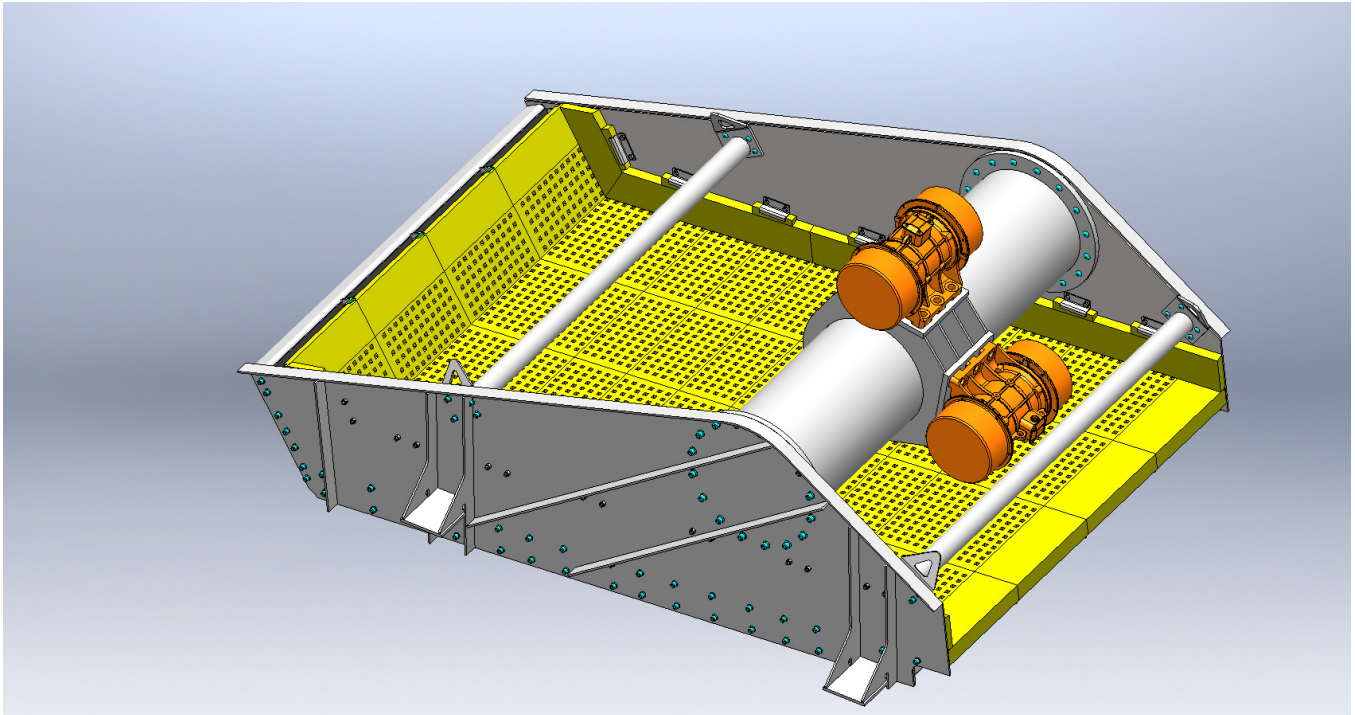


DEWATERING VIBRATING SCREENS



TECHNICAL SPECIFICATION:

| SCREEN | WxL [m] | DECKS | RPM | Power [kW] | Weight [kg] |
|----------|---------|-------|------|---------------|----------------|
| DS1837HF | 1.8x3.7 | 1 | 1500 | 2x5 | 3300 |
| DS2437HF | 2.4x3.7 | 1 | 1500 | 2x7.8 | 4000 |

Screens can be modified to accommodate customer requirements in respect to specific screening deck installation.

For different screen size or custom made screen please contact VIBFEM Pty Ltd.