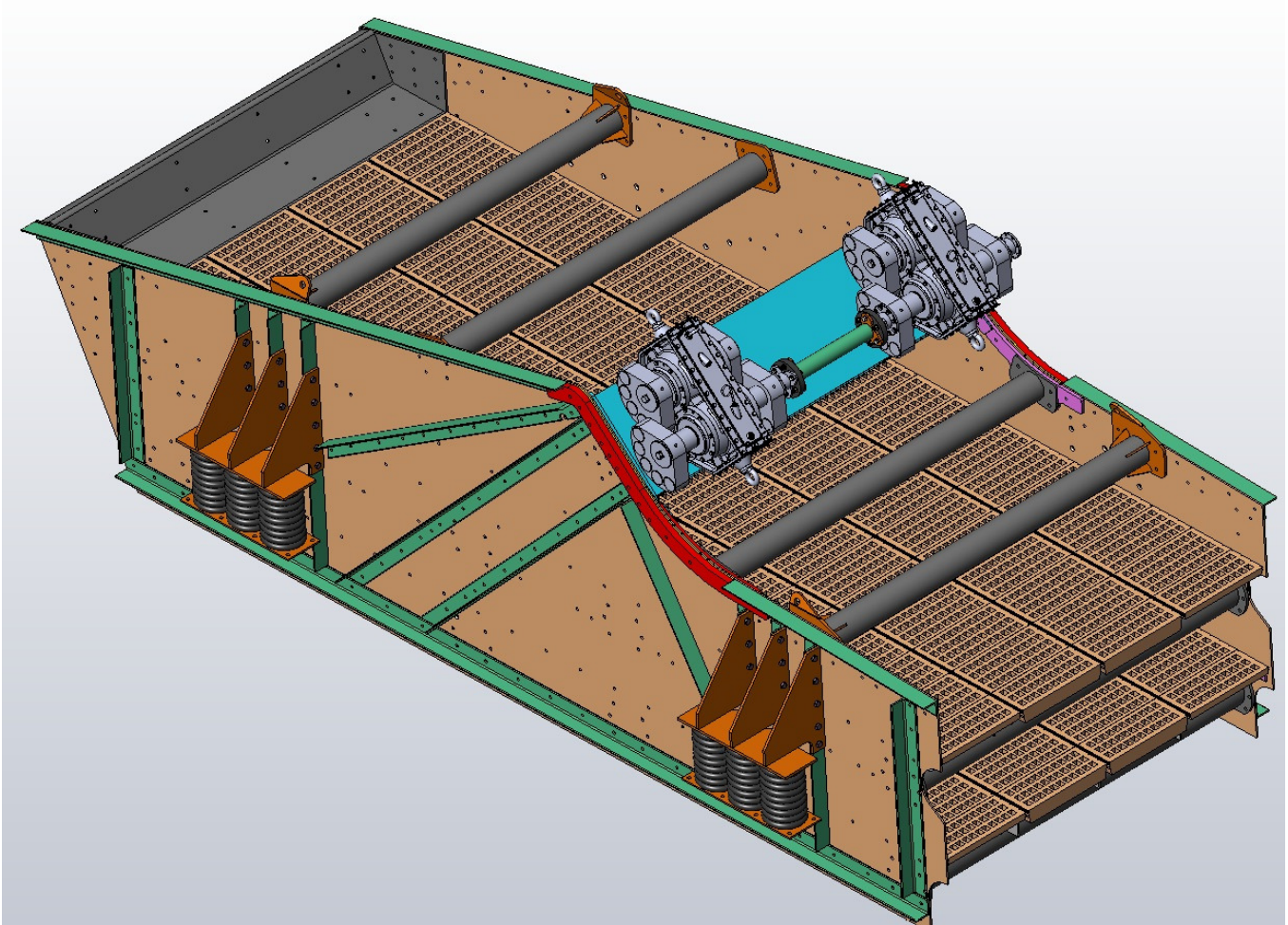


VIBRATING SCREENS-HORIZONTAL



TECHNICAL SPECIFICATION:

SCREEN	WxL [m]	DECKS	Power [kW]	Weight [kg]
H12461	2.4x6.1	1	30	9500
H13061	3.0x6.1	1	30	11000
H13661	3.6x6.1	1	45	14500
H14261	4.2x6.1	1	45	16500
H23061	3.0x6.1	2	75	20000
H23661	3.6x6.1	2	75	23500
H13073	3.0x7.3	1	45	10500
H13673	3.6x7.3	1	45	14000
H23073	3.0x7.3	2	45	20500
H23673	3.6x7.3	2	75	20500
H14273	4.2x7.3	1	45	18000
H14285	4.2x8.5	1	75	21000

Screens can be modified to accomodate customer requirements in respect to specific screening deck installation.

For different screen size or custom made screen please contact VIBFEM Pty Ltd.